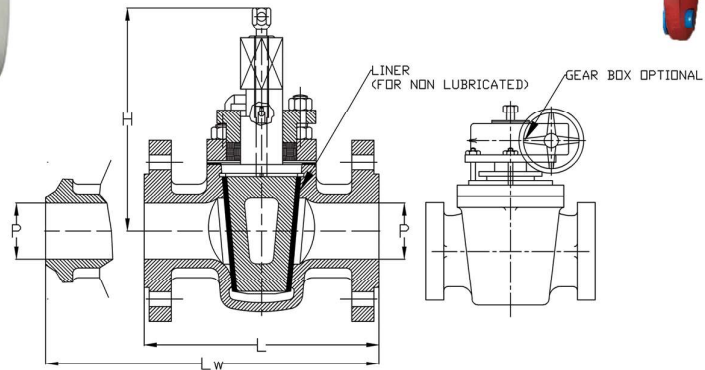




# PLUG VALVES - CAST STEEL PLUG VALVES



Plug valves are valves with cylindrical or conically tapered "plugs" which can be rotated inside the valve body to control flow through the valve. The plugs in plug valves have one or more hollow passageways going sideways through the plug, so that fluid can flow through the plug when the valve is open. Plug valves are simple and often economical. Plug Valves are available in Lubricated and Non-Lubricated Types. Our range is only of Non-Lubricated Type.



150#				
DN (inch)	L	H	W	WEIGHT (Kg) Approx
25 (1")	140	125	280	13
40 (1.5")	165	158	280	15
50 (2")	178	114	305	17
65 (2½")	203	120	457	27
80 (3")	203	127	457	33
100 (4")	229	154	762	48
150 (6")	267	241	Gear	78
200 (8")	292	279	Gear	120
250 (10")	330	317	Gear	176
300 (12")	356	330	Gear	260
350 (14")	381	381	Gear	380

(Code-RSI)

300#				
DN (inch)	L	H	W	WEIGHT (Kg) Approx
50 (2")	216	114	305	26
65 (2½")	283	120	457	41
80 (3")	283	127	457	50
100 (4")	305	154	762	72
150 (6")	403	196	Gear	97
200 (8")	419	241	Gear	117
250 (10")	457	279	Gear	180
300 (12")	502	317	Gear	264
350 (14")	762	330	Gear	390

(Code-RSI)

DESIGN STANDARD	
Plug Valve	API 599
Face to Face / End to End Dimensions	ASME B16.10
Valve inspection & testing	API598
Pressure - Temperature rating	ASME B16.34
Flange Standard	ANSI B16.5